



Modelling crisis management for improved action and preparedness

**Multiple segments of the security market that can
be addressed by the CRISMA products and services**

**CRISMA Business Day
4th of June 2015, Brussels
Robert MISKUF (PSCE)**

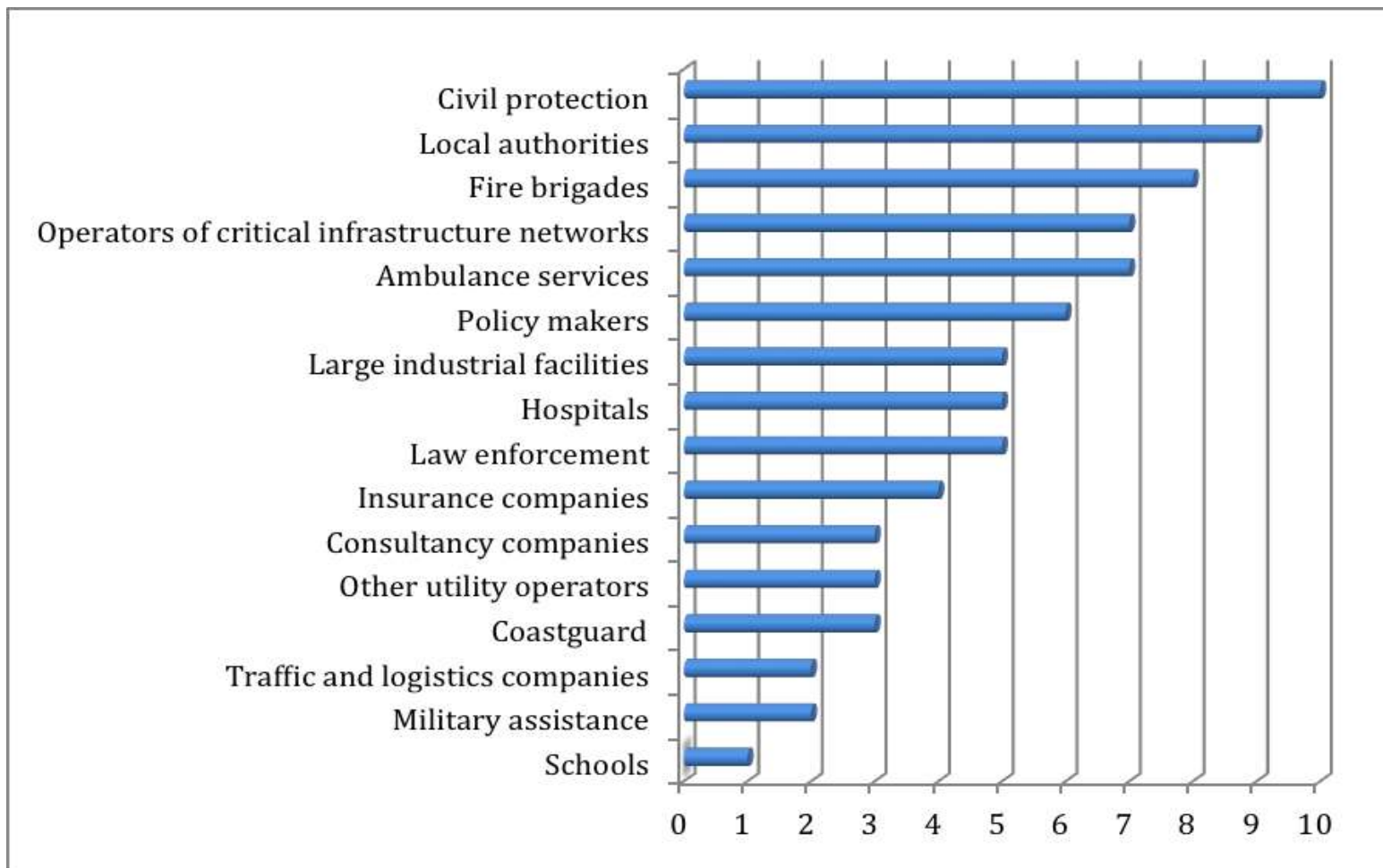


What is the market for CRISMA?

- Methodology for the market analysis
 1. End user workshops
 2. CRISMA pilots
 3. Personal interviews & sectorial expertise

- Market summary
 1. CRISMA top-focus customers
 2. Market trends
 3. CRISMA offer vs market sectors
 4. Market size estimates

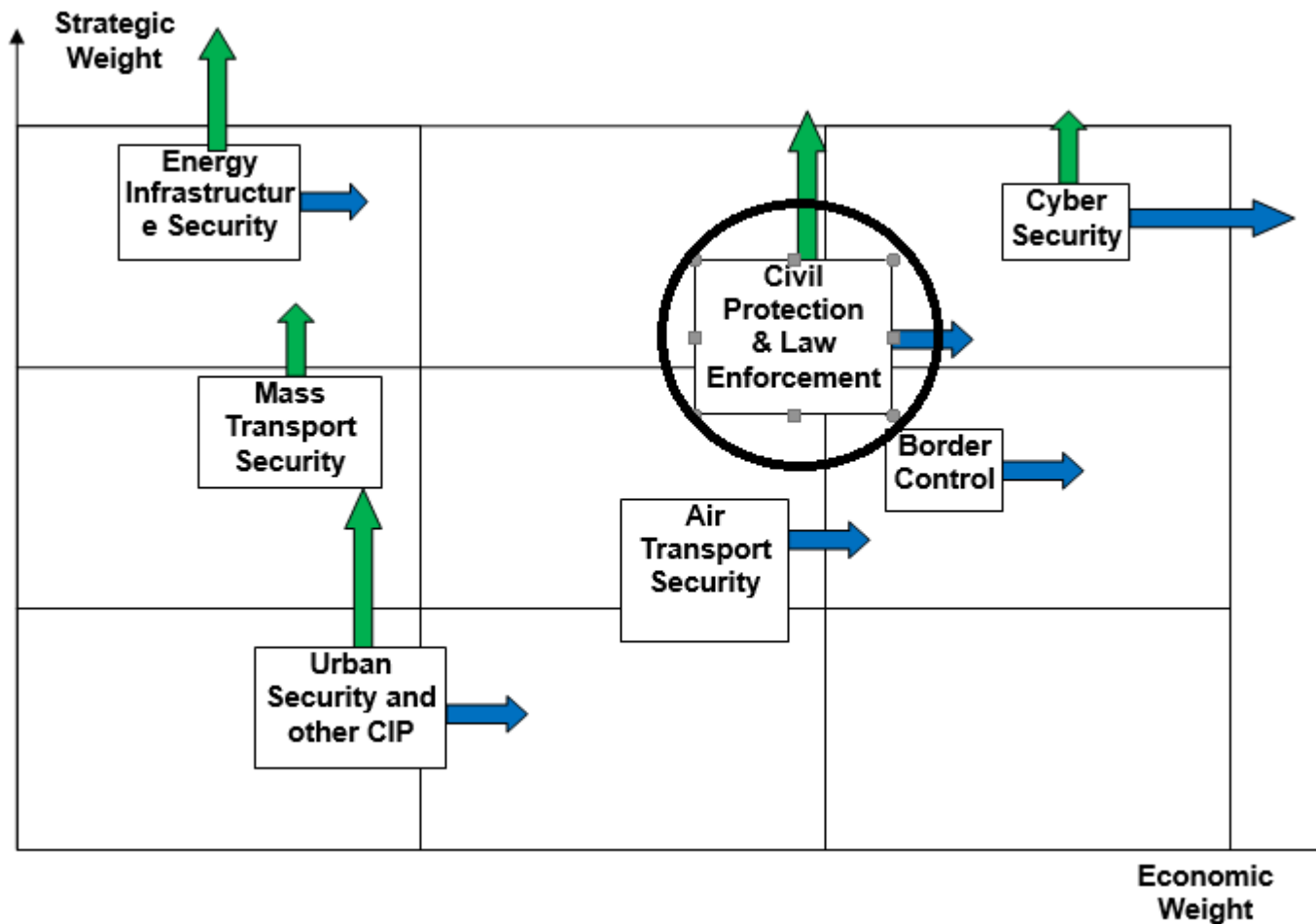
1. CRISMA top-focus customers



2. Market trends

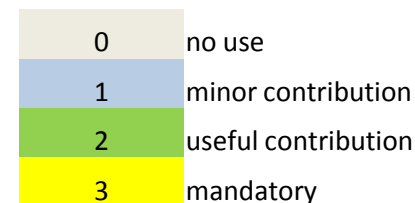
Estimation of trends of the Security Market by relevant sectors

Study on the Competitiveness of the EU security industry, ECORYS 2009



3. CRISMA vs. Market sectors

CRISMA fit for purpose



	Risk assessment	Preparation	Early Warning	Emergency	Recovery
Border Control					
<i>Land</i>	0	1	0	0	0
<i>Maritime</i>	0	1	0	0	0
Hazards					
<i>Flood & Submersion</i>	2	3	2	1	2
<i>Earthquake & Landslide</i>	2	3	2	1	2
<i>Storm</i>	1	3	2	0	1
<i>Man-made</i>	2	3	2	1	2
Transportation					
<i>Aviation</i>	1	2	0	2	1
<i>Mass transport</i>	1	2	0	2	1
Critical Infrastructures					
<i>Utility Networks</i>	1	2	0	0	1
<i>Industrial installations</i>	1	2	0	0	1
Supply Chain	1	2	0	0	1
Cyberspace	0	0	0	0	0

4. Estimated EU market size

- Border Control: 4,5 bEUR
- Civil protection: 5,5 bEUR
- Critical Infrastructure Protection & Urban Security: 2,5 bEUR
- Cyber Security: 2,3 bEUR

CRISMA addresses a small market niche within the individual sectors of the security market. One should not count the whole security market as benefiting CRISMA. CRISMA is supposed to develop within the market hereby defined and accounts only for a very small percentage.

Which CRISMA results are readily available?

➤ Solutions

- Contingency Planning
- Multi-sectors impact assessment and mitigation
- Preparedness and mitigation planning for coastal submersion
- Emergency resource management

➤ Products and expert services

- Preparedness planner (INSTA)
- Wildfire management and training support (ADAI)
- Resource management tactical training (NICE)
- Economic Impact Model CRISECON (VTT)
- *TELEMAC/MASCARET Hydrodynamic Modelling System*(ARTELIA)
- Expertise in agent-based simulation using the DynMap platform (TTU)
- The CRISMA Framework (CISMET)
- Expert services for Climate change and Extreme Events (FMI)

How to get more?

- CRISMA Catalogue:
 - Discover the CRISMA knowledge (list of BB, demos, etc)
 - Download documents, software code, etc
 - Get references and links to more information and contacts
 - <https://crisma-cat.ait.ac.at>

- CRISMA demonstrators:
 - Videos
 - Downloadable demonstrators
 - Life demonstrators (based on the CRISMA Pilots)

- CRISMA Book:
 - To be published soon

Thank You!

Follow CRISMA in: www.crismaproject.eu

